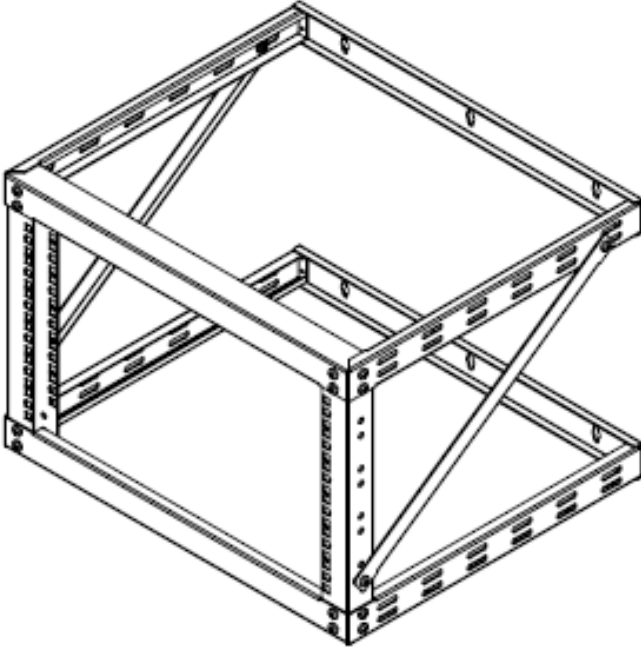


UBWH Australia



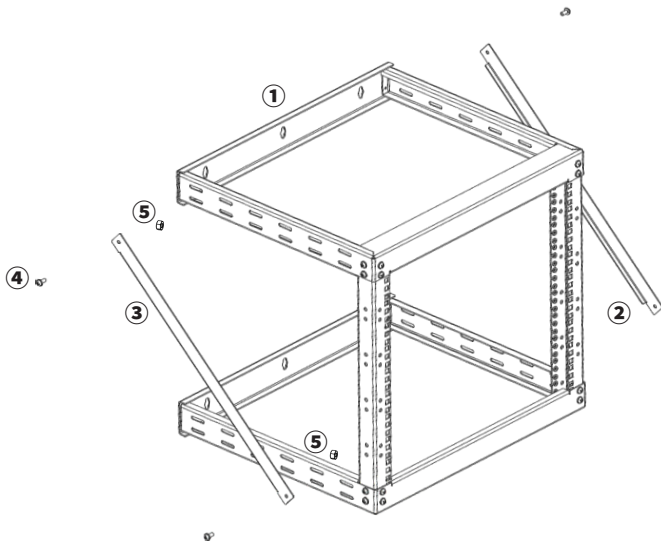
Wall-Mounted 2-Post Open Frame Rack Series **RU-Rack-6U/RU-Rack-9U/RU-Rack-12U**

User Manual

We'll continue to improve the user manual and update it on ubwh.com.au
any feedback from you will be appreciated

Section 1: Parts Identification

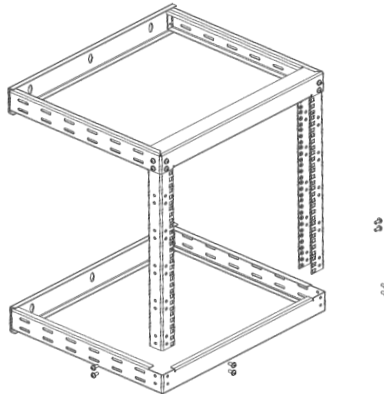
S/N	Name	Qty.(pcs)		
		6U	9U	12U
1.1 Rack Components				
①	Top or Bottom Panel Frame	2	2	2
②	Vertical Mounting Dual Rails	2	2	2
③	Right or Left-Side Support Strap	0	2	2
1.2 Rack Assembly Hardware				
④	M6x12mm Phillips Head Screws	20	20	20
⑤	M6 nut	20	20	20
1.3 Equipment Mounting Hardware				
⑥	M6x12mm Phillips Head Screws & Nuts	12	12	12
⑦	M6 Masonry Anchor Bolt	4	4	4



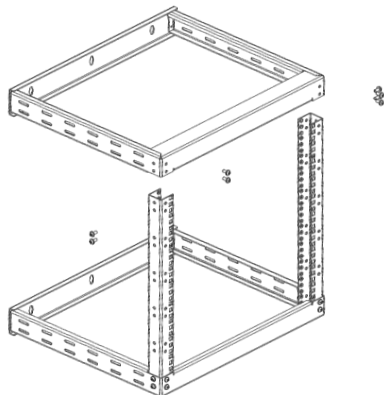
Section 2: Rack Assembly

WARNING: Do not attempt to mount the rack to the wall with equipment mounted to the rack.

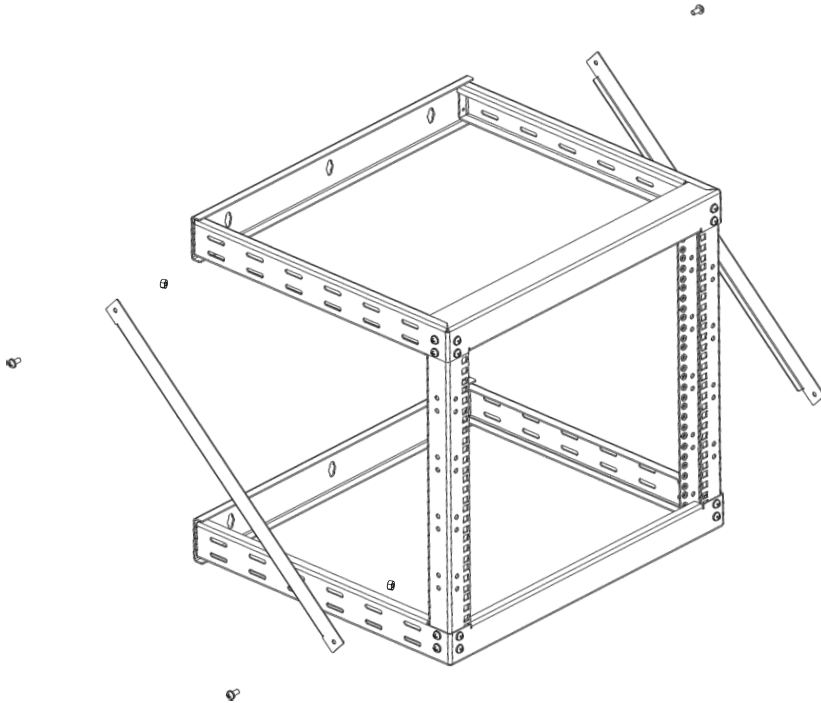
Step 1 Insert one end of the vertical mounting rails into the corners of the bottom panel frame (both panel frames can be used as a top or bottom) opposite the mounting side and secure them with 2 of the M6x12mm Phillips head screws and M6 nut on each side.



Step 2 Insert the other end of the vertical mounting rails into the corners of the top panel frame opposite the mounting side and secure them with 2 of the M6x12mm Phillips head screws and M6 nut on each side.



Step 3 Attached the right-side and left-side support straps by securing 4 of the M6x12mm Phillips head screws and M6 nut to the top panel frame and vertical mounting rails.



Congratulations! You have finished the installation of the wall mounted 2-Post open frame rack.

UBWH Australia

Thank you for purchasing a quality UBWH product.

*Please search your product @ ubwh.com.au
for more and complete product information and support for your product*