



**WI-PS305GF**  
**5GE+1SFP Fiber Ports**  
**48V Gigabit PoE Switch with 4-Port PoE**  
**Data sheet**

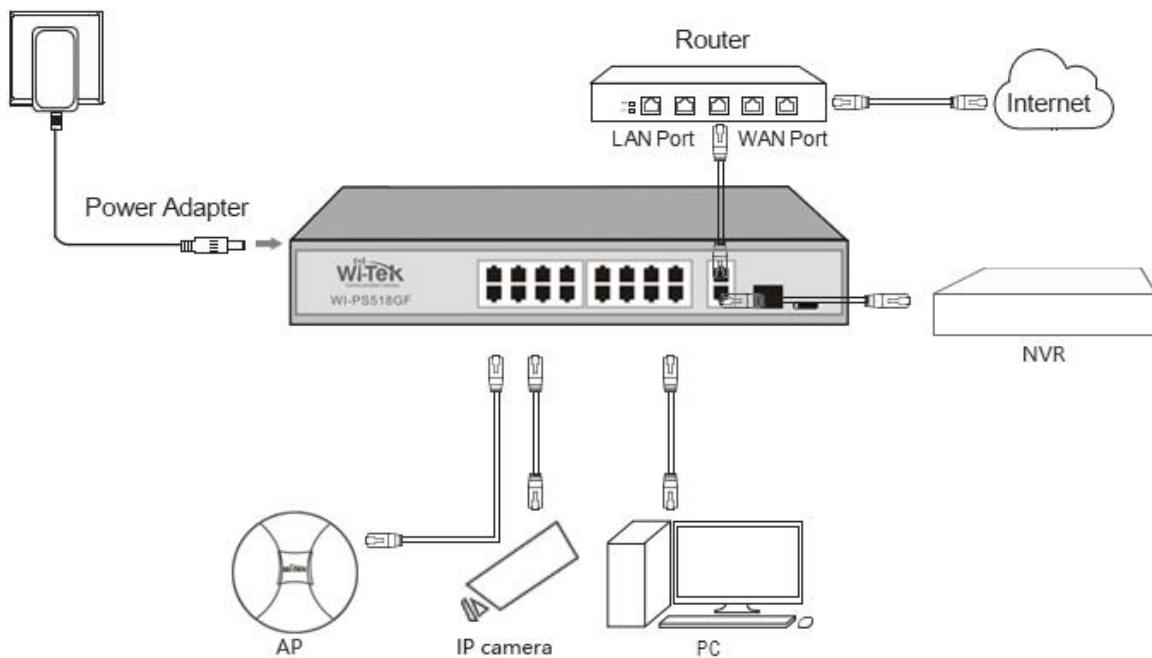
## Highlights

- 5GE+1SFP Fiber 802.3at/at PoE Ports with 4 Port PoE
- Supports PoE power up to 30W for each port
- Compatible with PoE IEEE 802.3af/at compliant PDs
- External power adapter supply 65W output power
- LED indicators for LINK/ACT, Power, PoE Status, 100/1000Mbps
- 2K entry MAC address table with auto-learning and auto-aging

## Product



## Typical Applications





## Description

### what this product does

WI-PS305GF is a 5GE+1SFP 100/1000Mbps Ports unmanaged switch that requires no configuration and provides 4 PoE ports. The switch provides an easy way to expand your wired network. All 6 ports support auto-MDI/MDIX, eliminating the need to worry about the type of cable to use. Featuring full duplex mode, the WI-PS305F can process data at a rate of up to 2000Mbps making it an ideal choice for expanding your high performance wired network. Moreover, with innovative energy-efficient technology, the WI-PS305F can save up to 68% of power consumption, making it an eco-friendly

solution for your home or office network.

## High Performance

WI-PS305GF Fast Ethernet Switch provides 5 100/1000Mbps Auto-Negotiation RJ45 ports. All ports support Auto MDI/MDIX function, eliminating the need for crossover cables or Uplink ports. Featuring non-blocking switching architecture, WI-PS305GF forwards and filters packets at full wire-speed for maximum throughput. With 10K Jumbo frame, the performance of large files transfers is improved significantly. And IEEE 802.3x flow control for Full Duplex mode and back pressure for Half Duplex mode alleviate the traffic congestion and make WI-PS305GF work reliably.

## Easy to Use

The auto features of this Ethernet switch make installation plug and play and hassle-free. No configuring is required. Auto MDI/MDIX eliminates the need for crossover cables. Auto-negotiation on each port senses the link speed of a network device (10, 100 Mbps) and intelligently adjusts for compatibility and optimal performance.

## Specification

HARDWARE FEATURES	
<b>Interface</b>	5 100/1000Mbps RJ45 Ports 1 SFP Fiber Ports
<b>Network Media</b>	10Base-T: Pair 2 Category 3(Cat3) and above UTP/STP(≤100m) 100Base -TX: Pair 2 Category 5(Cat5) and above UTP/STP(≤100m) 1000Base-T: Pair 4 Category 5(Cat5e) and above UTP/STP(≤100m)

## HARDWARE FEATURES

	1000Base-SX:62.5µm/50µm MMF(2m~550m) 1000Base-L X:62.5µm/50µm MM(2m~550m) or 10µm SMF(2m~5000m)
<b>Fan Quantity</b>	Fanless
<b>Power Budget</b>	65W
<b>Internal Power Supply</b>	AC110-240V 50/60Hz
<b>PoE Ports (RJ45)</b>	Standard: 802.3 af/at compliant PoE Ports: Port1- Port4
<b>Backplane Bandwidth</b>	12Gbps
<b>Mac Address Table</b>	2K
<b>Packet Forwarding Rate</b>	8.9Mpps
<b>Buffer</b>	1Mb
<b>Jumbo Frame</b>	10240Bytes
<b>Dimensions</b>	190*130*35mm(L*W*H)

## HARDWARE FEATURES

**Protection  
Leve**

Lightning protection 6KV  
6KV ESD Contact discharge

## SOFTWARE FEATURES

**Transmission  
Method**

Store-And-Forward

**Advanced  
Functions**

Priority Function  
Mac Address Auto-Learning  
And Auto-Aging  
Store and forward  
IEEE 802.3x flow control for  
Full-duplex Mode  
Back pressure for Half-duplex  
Mode

## OTHERS

**Certification**

CE, FCC, RoHS

**Package  
Contents**

POE Switch  
Electric Line  
Guide Book/Warranty Card

**Environment**

Operating Temperature:  
-10°C~55°C